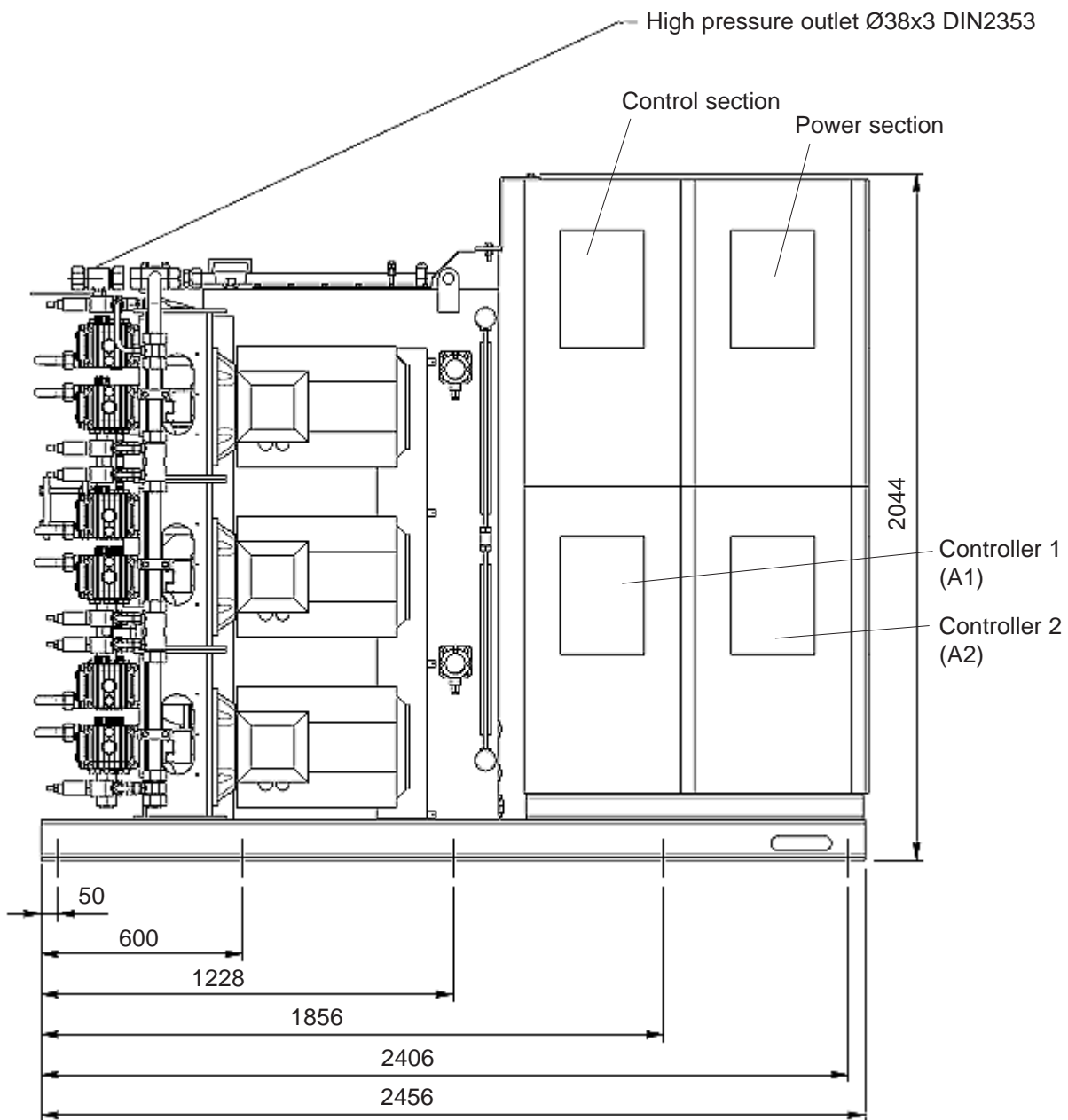




Sprinkler Pump Unit SPU6

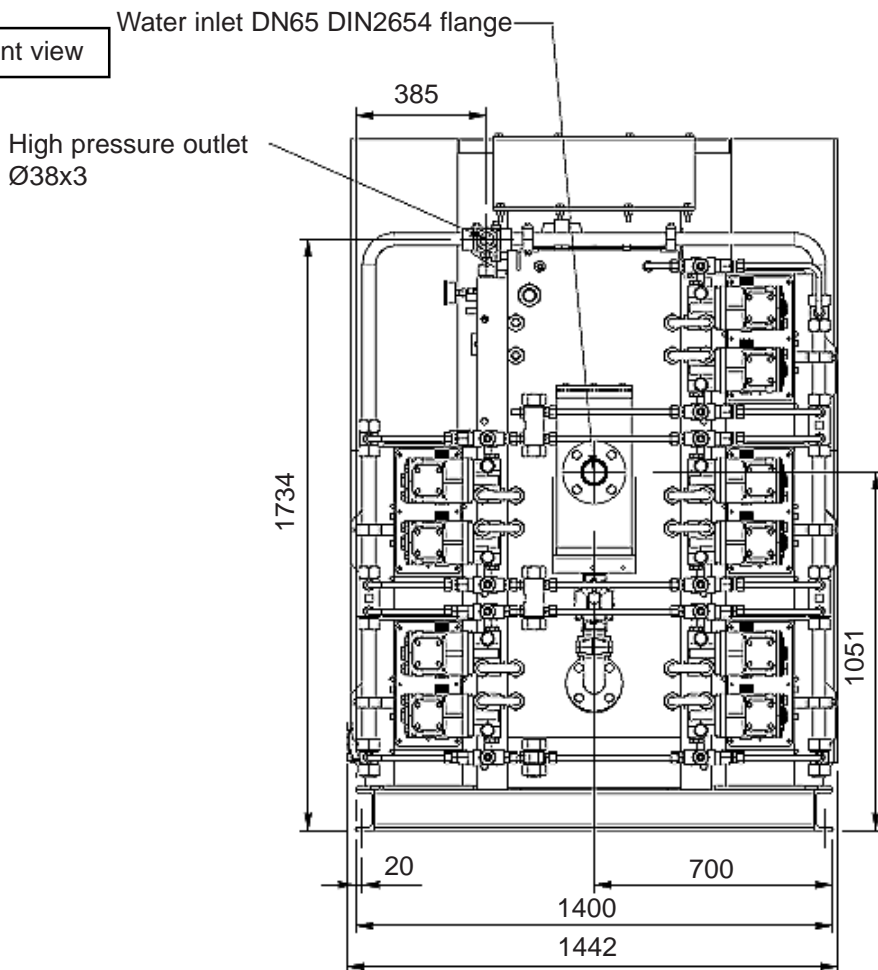
Left side view



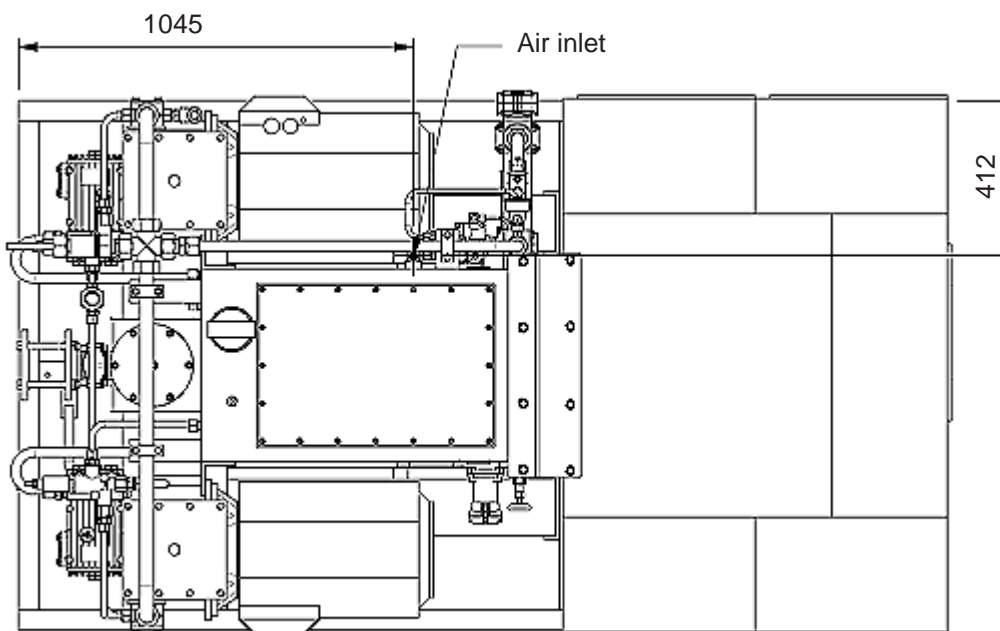


Sprinkler Pump Unit SPU6

Front view



Top view

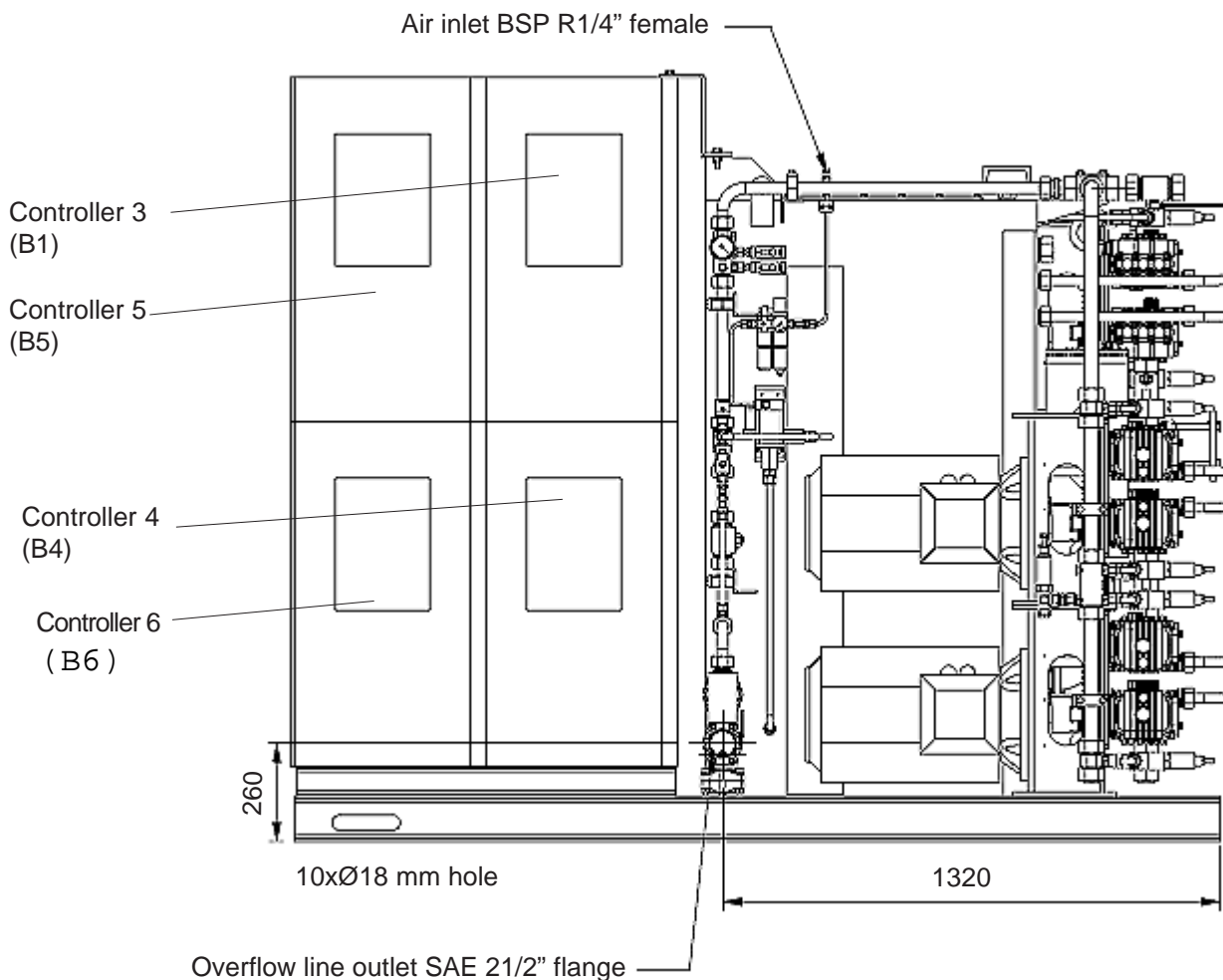


Marioff Corporation Oy • Virratie 3 / P.O.Box 86, FI-01301 Vantaa, Finland
 Tel. +358 (0)9 870 851 • Fax +358 (0)9 8708 5399 • www.marioff.com



Sprinkler Pump Unit SPU6

Right side view



| External piping connections | |
|-----------------------------|--------------------------------------|
| Connection | Dimension/Type |
| Air inlet | BSP R1/4" female |
| Water inlet | DN65 DIN2642 flange |
| High pressure outlet | Ø38x3 DIN2353 cutting ring |
| Tank overflow outlet | SAE 2 1/2" (Ø76,1x2) 3000 PSI flange |



Marioff Corporation Oy • Virnatie 3 / P.O.Box 86, FI-01301 Vantaa, Finland
 Tel. +358 (0)9 870 851 • Fax +358 (0)9 8708 5399 • www.marioff.com